



Shenzhen JSK Science & Technology Co.,Ltd.

SMD Seam Sealing Crystals

7.0 x 5.0 x 1.4 mm 7B Series



Features

- 2 pads SMD glass sealed crystal units.
- High reliable environmental performance.
- Tight tolerance and stability parts are available.
- Designed for automatic mounting and reflow soldering.
- Reasonable cost and good delivery performance.
- The best choice of portable PC, PDA, DSC, and USB interface card.



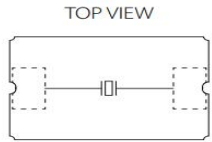
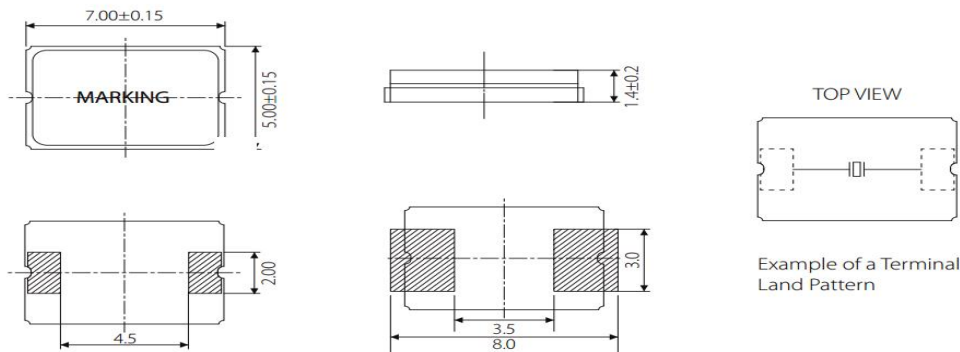
Electrical Specifications

Item / Type	
Frequency Range	6 ~ 54 MHz
Frequency Tolerance (at 25 °C)	± 20 ppm, or specify
Frequency Stability Over Operating Temperature Range	± 20 ppm, or specify
Operating Temperature Range	-20 ~ +75 °C, or specify
Shunt Capacitance (C0)	5 pF Max.
Drive Level	1 ~ 200 μW (100 μW typical)
Load Capacitance	Series, 6 pF, 10 pF, 16 pF, 20 pF, or specify
Aging (at 25 °C)	± 3 ppm / year Max.
Storage Temperature Range	- 40 ~ + 85 °C

Equivalent Series Resistance(ESR)

Fundamental	
6~ 12 MHz	80 Ω Max.
12~ 54 MHz	50 Ω Max.

Dimensions



Example of a Terminal Land Pattern

Bottom View

Top View Suggested Layout

Units: mm

WWW.JSKSZ.COM TEL:+86-755-83559339/83551725 FAX: +86-755-83558980

